

CDS

All SS Pressure Gauge
Compact Diaphragm Type (50 mm, 63 mm & 100mm)



CE

Special Features

- Stainless steel case & measuring system
- Dry or liquid filled
- Diaphragm seal integrally built with gauge.
- Reduces the effect of vibration / pulsation
- Standard followed en 837-3

Application

- Diaphragm seals are designed to isolate the sensing element of pressure gauges and pressure switches from process fluids that they may be corrosive, viscous, sedimentous and / or with a high temperature.
- Especially designed for Low Cost

Specifications

Standard Version : 50 mm, 63 mm & 100mm (For NS 100 Gauge Model Should be ESW Type)

Accuracy	: ±1.6% of F.S.
Ambient temperature	: 10 to 60°C
Process temperature	: 10 to 150°C
Operating pressure range	: 75% of Scale Value
Over pressure limit	: 130% of Scale Value

Case & Bezel	: AISI 304 SS (Bayonet Type)
Socket	: AISI 316 SS
Bourdon	: AISI 316L SS
Movement	: AISI 304 SS
Body	: AISI 304 SS
Joints	: Tig Argon Arc Welding
Diaphragm	: AISI 316L SS
Process Connection	: ¼" BSP (M) Standard Other on Request..

Protection	: IP 68
Dial	: Aluminum, black graduation on white background
Pointer	: Aluminum, black coloured, fixed
Window	: Toughened Glass
Gasket	: Neoprene rubber
Filling Plug	: Neoprene
Sealing Fluid	: Glycerin

Dry but fillable version (option DFG)

Fillable Dampening Liquid	: Glycerine 99.7%
Ambient Temperature	: Maximum 65°C
Process Temperature	: Maximum 150°C
Other Features	: Refer Specification of Standard Version

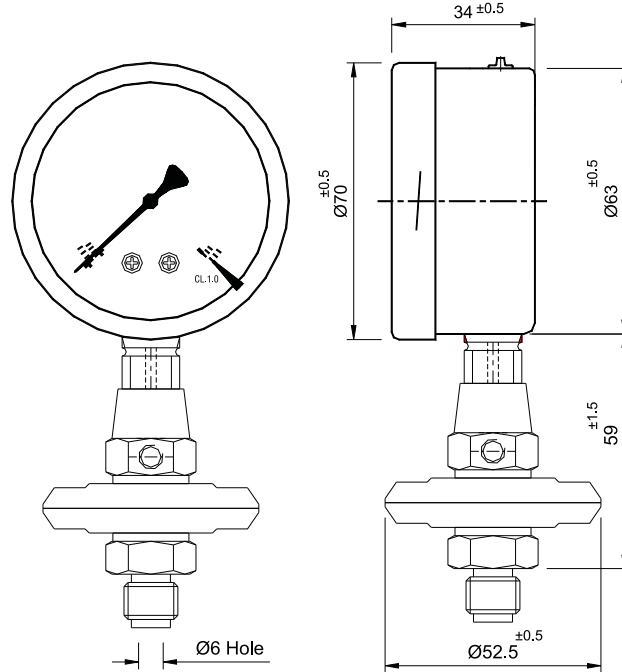
Glycerine filled version (option LFG)

Accuracy	: ±1.6% of F. S.
Process Temperature	: Maximum 150°C
Ambient Temperature	: Maximum 65°C
Window	: Toughened Glass
Dampening Liquids	: Glycerine 99.7%
Other Features	: Refer Specification of Standard Version

Temperature effect :

The variation of indication caused by effects of temperature is to be calculated by below formula; which is to be added in the specified accuracy while measurement :- Formula : $\pm 0.08 \times (t_2 - t_1) \% \text{ of F. S.}$ where t_1 = reference temperature (+20°C) and t_2 = ambient temperature in °C.

Dimensions - standard version



63mm Dial Size Gauge Dimensions

Range Table

Note : We offer National / International Scales like kPa, MPa, bar, psi, kg/cm² & Dual Scale like kPa with psi, kPa with bar, bar with psi or Equivalent scales as per the requirement can be provided on request. Following are the example tables for kg/cm² with psi scales.

Pressure range

Range (psi with kg/cm ²)			
psi	kg/cm ²	psi	kg/cm ²
0/30	0/2	0/300	0/21
0/60	0/4	0/400	0/28
0/100	0/7	0/500	0/35
0/150	0/10	0/600	0/42
0/230	0/16	0/1000	0/70

Compound range

Range (mmHg with kg/cm ² & inHg with psi)			
mmHg with kg/cm ²	inHg with psi	mmHg with kg/cm ²	inHg with psi
-760/2	-30/ 30	-760/10	-30/ 150
-760/4	-30/60	-760/14	-30/200
-760/7	-30/100	-760/20	-30/300

How To Order				Example
Basic Model Code				CDS
Nominal Size	20	25	40	XX
	50 mm	63 mm	100 mm	
Type of Mounting				
2 Direct bottom entry	3 Direct Lower back entry (for NS 100 Only)	4 Direct center back entry		X
End connection of bottom mating part (* Bore size will be 6 to 8 mm)				
2BM ¼" BSP (M)	3BM 3/8" BSP (M)	3NM 3/8" NPT (M)		XXX
4BM ½" BSP (M)	4NM ½" NPT (M)	2NM ¼" NPT (M)		
Diaphragm Sealed Chamber (Top & Bottom)				
S4 AISI 304 SS (Standard)	S6 AISI 316 SS			XX
Diaphragm				
SL AISI 316L (Standard)				XX
Filling fluids				
S1 Silicon DC 200 [-40 to 205°C] (Standard)	SY Syltherm 800 [-40 to 315°C]			XX
FG Food Grade OIL [-20 to 140°C]				
S2 Silicon DC 550 [10 to 400°C]				
Range				
Refer range table				0/10 kg/cm ²
Optional extras				
CDD Custom designed dial	STG Shatterproof / safety glass			XXX
OXS Oxygen service (for dry version)	PLG Plexi Glass			
CBS AISI 316 SS case & bezel	STP SS tag plate			
LGF Dampening liquid glycerine filled	DFG Dry But Fillable Version (Glycerin)			
MTC Material test certificates*	DFS Dry But Fillable Version (Silicon)			
CTB Case with Crimped type bezel	HLT Helium leak test			

* Material test certificates will be provided for wetted parts only with chemical composition testing. For others, please consult factory.

Ordering Example: CDS - XX - X - XXX - XX - XX - XX - 0/10kg/cm² - XXX

For other optional items, please contact factory for delivery and minimum quantity of order.

Note : Specifications and dimensions given in this product catalogue represents the state of engineering at the time of printing.
Modifications may take place and materials specified may be replaced by others without prior notice.