

# DHM

Diaphragm Seal  
Heavy Duty Mini Sealed



CE

### Special Features

- All AISI 316 SS construction
- Light weight
- Economical
- Ideal choice for high pressure
- The diaphragm is welded to the body to ensure separation of the filling fluid from the process medium

### Application

- Diaphragm seals are designed to isolate the sensing element of pressure gauges and pressure switches from process fluids that they may be corrosive, viscous, sedimentous and / or with a high temperature

### Specifications

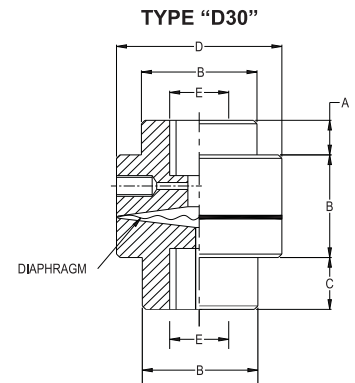
#### Standard Version

(Compatible models : PPS, SF6, WP6, WP4, DD1, DD2, DB, BEC, DEC )

|                       |   |
|-----------------------|---|
| Seal type & Range     | : D63 = -1 kg/cm <sup>2</sup> to 0 & 0 to 4 kg/cm <sup>2</sup> (Standard) |
|                       | : D53 = 6 kg/cm <sup>2</sup> to 70 kg/cm <sup>2</sup>                     |
|                       | : D38 = 100 kg/cm <sup>2</sup> to 400 kg/cm <sup>2</sup>                  |
|                       | : D30 = 250 kg/cm <sup>2</sup> to 600 kg/cm <sup>2</sup>                  |
| Process temperature   | : -40°C to 200°C or as per fill fluid                                     |
| Instrument connection | : 3/8" BSP (F)  |
|                       | : 1/4" BSP (F) for type <b>D30</b>  |
| Process connection    | : 1/2" BSP (M)  |
|                       | : 1/4" BSP (F) for type D30   |
| Fill fluid            | : Silicon Oil - DC 200  |
| Mounting              | : Direct (without capillary)  |

|           |                |
|-----------|----------------|
| Diaphragm | : AISI 316L SS |
| Body      | : AISI 316 SS  |

### Dimensions - Standard Version

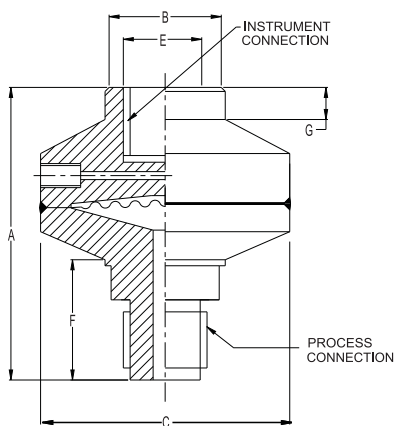


| A  | B  | C  | D  | E           | Approx. Wt.# |
|----|----|----|----|-------------|--------------|
| 10 | 30 | 10 | 30 | 1/4" BSP(F) | 300.0        |

(# Weight in grams with box for Standard Model.)

### Dimensions - Standard Version

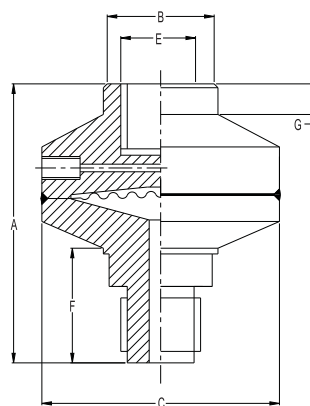
#### TYPE "D63"



| A  | B  | C  | E          | F  | G | Approx. Wt.# |
|----|----|----|------------|----|---|--------------|
| 67 | 30 | 62 | 3/8"BSP(F) | 30 | 8 | 700.0        |

(# Weight in grams with box for Standard Model.)

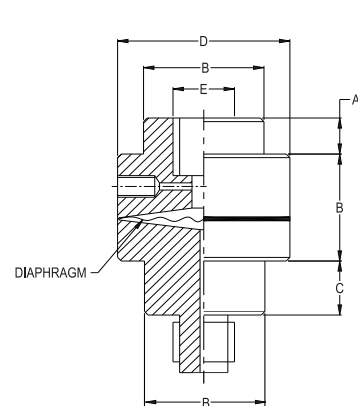
#### TYPE "D53"



| A    | B  | C  | E          | F  | G | Approx. Wt.# |
|------|----|----|------------|----|---|--------------|
| 68.5 | 30 | 53 | 1/2"BSP(F) | 35 | 8 | 600.0        |

(# Weight in grams with box for Standard Model.)

#### TYPE "D38"



| A  | B  | C  | D  | E          | Approx. Wt.# |
|----|----|----|----|------------|--------------|
| 10 | 22 | 15 | 38 | 3/8"BSP(F) | 350.0        |

(# Weight in grams with box for Standard Model.)

| How to Order  |   |   |                                  |  |       |     |
|---|---|---|----------------------------------|--|-------|-----|
| <b>Basic Model</b>  |   |   |                                  |  |       |     |
| <b>Code</b>   |   |   |                                  |  | DHM   |     |
| <b>Optional Extras</b>  |   |   |                                  |  |       |     |
| [It is recommended that the MOC of Diaphragm should be equivalent.]               |   |   |                                  |  |       |     |
| <b>SEAL TYPE</b>  |   |   |                                  |  |       |     |
| <b>D63</b> 1 kg/cm <sup>2</sup> to 0 & 0 to 4 kg/cm <sup>2</sup> (Standard)       | <b>D38</b> 100 kg/cm <sup>2</sup> to 400 kg/cm <sup>2</sup> |   |                                  |  |       | XXX |
| <b>D53</b> 6 kg/cm <sup>2</sup> to 70 kg/cm <sup>2</sup>                          | <b>D30</b> 250 kg/cm <sup>2</sup> to 600 kg/cm <sup>2</sup> |   |                                  |  |       |     |
| <b>Instrument Connection</b> (*For seal type D30)                                 |   |   |                                  |  |       |     |
| <b>2BF</b> ¼" BSP (F) (Standard)*   | <b>3BF</b> 3/8" BSP (F) (Standard)                          | <b>4BF</b> ½" BSP (F)                   |                                  |  |       | XXX |
| <b>2NF</b> ¼" NPT (F)   |   | <b>4NF</b> ½" NPT (F)                   |                                  |  |       |     |
| <b>Top Chamber</b>  |   |   |                                  |  |       |     |
| <b>S6</b> AISI 316 SS (Standard)  | <b>SL</b> AISI 316L SS                                      | <b>S4</b> AISI 304 SS                   |                                  |  |       | XX  |
| <b>Diaphragm</b>  |   |   |                                  |  |       |     |
| <b>SL</b> AISI 316L (Standard)  |   |   |                                  |  | XX    |     |
| <b>Bottom Chamber</b>   |   |   |                                  |  |       |     |
| <b>S6</b> AISI 316 SS (Standard)  | <b>SL</b> AISI 316L SS                                      | <b>HC</b> Hastelloy 'C'                 | <b>MO</b> MONEL                  |  |       | XX  |
| <b>Process Connection</b> (*For seal type S14)                                    |   |   |                                  |  |       |     |
| <b>2BF</b> ¼" BSP (F) (Standard)*   | <b>2NF</b> ¼" NPT (F)                                       | <b>2NM</b> ¼" NPT (M)                   | <b>2BM</b> ¼" BSP (M)            |  |       | XXX |
| <b>3BF</b> 3/8" BSP (F)   | <b>4NF</b> ½" NPT (F)                                       | <b>4NM</b> ½" NPT (M)                   | <b>3BM</b> 3/8" BSP (M)          |  |       |     |
| <b>4BF</b> ½" BSP (F)   |   |   | <b>4BM</b> ½" BSP (M) (Standard) |  |       |     |
| <b>Filling Fluids (* Consult Factory For Specifications, Price And Delivery.)</b> |   |   |                                  |  |       |     |
| <b>S1</b> Silicon DC 200 [-40 to 205°C] (Standard)                                | <b>SY</b> Syltherm 800 [-40 to 315°C]                       |   |                                  |  |       | XX  |
| <b>FG</b> Food Grade OIL [-20 to 140 °C]  |   |   |                                  |  |       |     |
| <b>S2</b> Silicon DC 550 [10 to 400°C]  |   |   |                                  |  |       |     |
| <b>Remote Mounting (with Capillary Of Max. Up To 2 Mtrs.)</b>                     |   |   |                                  |  |       |     |
| Specify In Meters (e.g. 1.5 = 1.5 METERS 2.0 = 2 METERS)                          |   |   |                                  |  | 3Mtr. |     |
| <b>Capillary</b>  |   |   |                                  |  |       |     |
| <b>S4</b> AISI 304 SS   | <b>S6</b> AISI 316 SS                                       |   |                                  |  |       | XX  |
| <b>Capillary Covered With Armour (Applicable with PE or PG if selected)</b>       |   |   |                                  |  |       |     |
| <b>S4</b> AISI 304 SS   | <b>S6</b> AISI 316 SS                                       | <b>PC</b> PVC (Ambient Temp. Max. 60°C) |                                  |  |       | XX  |
| <b>Other Options</b>  |   |   |                                  |  |       |     |
| <b>HLT</b> Helium Leak Test   | <b>WOI</b> Dry Seal Only Without Instrument                 | <b>MTC</b> Material Test Certificates*  |                                  |  |       | XXX |

\* Material Test Certificates Will Be Provided For Wetted Parts Only With Chemical Composition Testing. For Others, Please Consult Factory.

**Ordering Example : DHM - XXX - XXX - XX - XX - XX - XXX - XX - 3Mtr. - XX - XX - XXX**

For other optional items, please contact factory for delivery and minimum quantity of order.  
Note : Specifications and dimensions given in this product catalogue represents the state of engineering at the time of printing. Modifications may take place and materials specified may be replaced by others without prior notice.