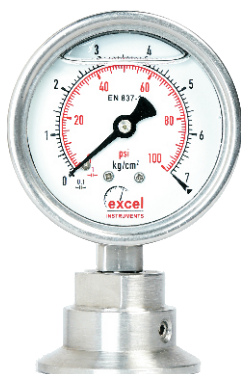


DSTC

All SS Diaphragm Sealed Pressure Gauge
Sanitary Process Connection (TC END)



CE

Special Features

- Stainless steel case & measuring system
- Laser welded diaphragm
- Dry or liquid filled
- Diaphragm seal integrally built with gauge.
- Reduces the effect of vibration / pulsation
- Polished diaphragm provides best hygiene factor
- Standard followed en 837-3

Application

- Especially designed for sanitary application
- Pharmaceutical
- Paint industry
- Bacterial & fungal accumulates which contaminate the process are eliminated
- The mirror finishing of the components assures the best hygiene.

Specifications

Standard Version : 50 mm, 63 mm & 100mm

Accuracy	:	±1.6% of F.S.
Ambient temperature	:	10 to 60°C
Process temperature	:	10 to 150°C
Operating pressure range	:	75% of Scale Value
Over pressure limit	:	130% of Scale Value

Case & Bezel	:	AISI 304 SS (Polished) (Bayonet Type)
Socket	:	AISI 316 SS
Bourdon	:	AISI 316L SS
Movement	:	AISI 304 SS
Body	:	AISI 316 SS
Joints	:	Tig Argon Arc Welding
Diaphragm	:	AISI 316L SS (Polished) Laser Welded
Sanitary Seal	:	Standard 1-1/2" size in AISI 316 SS (Without clamp, Gasket & Mating part) Other Size Optional

Protection	:	IP 68
Dial	:	Aluminum, black graduation on white background
Pointer	:	Aluminum, black coloured, fixed
Window	:	Toughened Glass
Gasket	:	Silicon rubber
Filling Plug	:	Neoprene
Sealing Fluid	:	Glycerin

Dry but fillable version (option DFG)

Fillable Dampening Liquid	:	Glycerine 99.7%
Ambient Temperature	:	Maximum 65°C
Process Temperature	:	Maximum 65°C
Other Features	:	Refer Specification of Standard Version

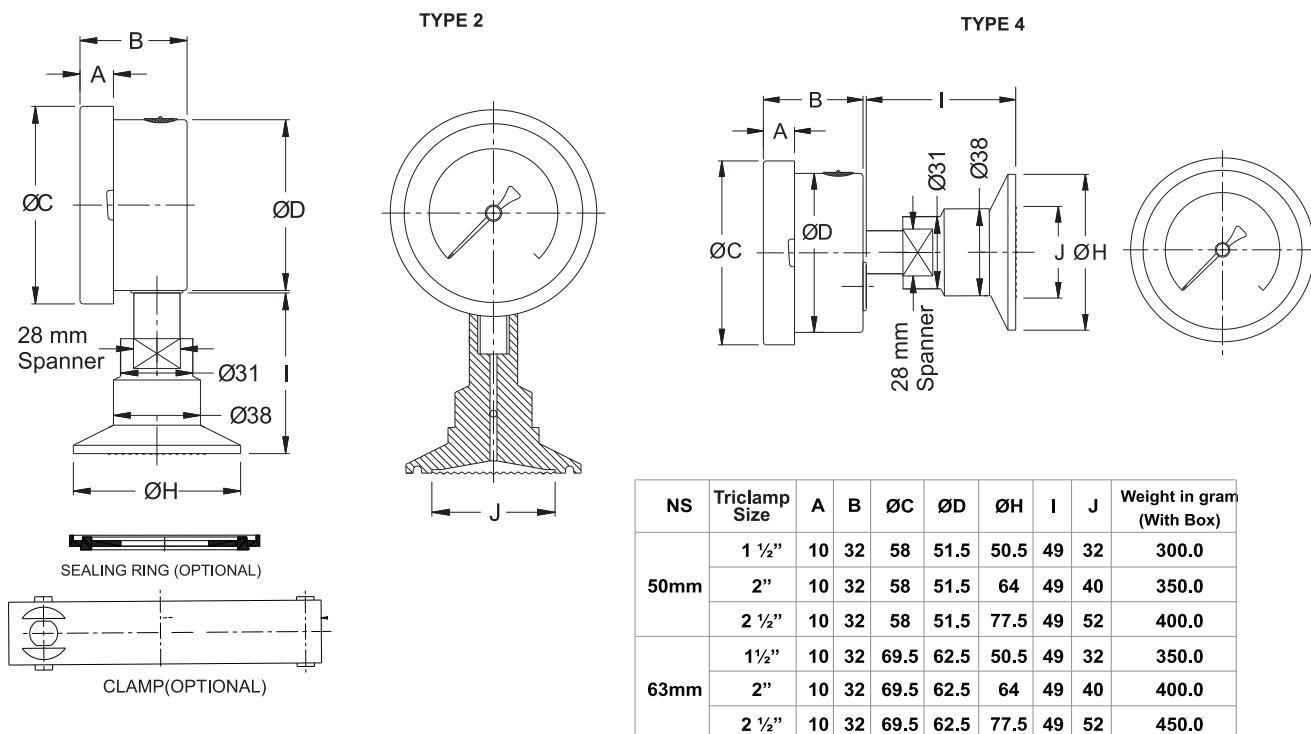
Glycerine filled version (option LGF)

Accuracy	:	±1.6% of F. S.
Process Temperature	:	Maximum 65°C
Ambient Temperature	:	Maximum 65°C
Window	:	Toughened Glass
Dampening Liquids	:	Glycerine 99.7%
Other Features	:	Refer Specification of Standard Version

Temperature effect :

The variation of indication caused by effects of temperature is to be calculated by below formula; which is to be added in the specified accuracy while measurement :- Formula : $\pm 0.08 \times (t_2 - t_1) \%$ of F. S. where t_1 = reference temperature (+20°C) and t_2 = ambient temperature in °C.

Dimensions - Standard Version



Notes : • Drawings are not to scale. • All Dimensions are in mm. • NS = Nominal Size.
• For NS 100 Dimensions, Please Refer Catalogue of WP4 or WP6

Range Table

Note : We offer National / International Scales like kPa, MPa, bar, psi, kg/cm² & Dual Scale like kPa with psi, kPa with bar, bar with psi or Equivalent scales as per the requirement can be provided on request. Following are the example tables for kg/cm² with psi scales.

Pressure range

Range (psi with kg/cm ²)			
psi	kg/cm ²	psi	kg/cm ²
0/30	0/2	0/300	0/20
0/60	0/4	0/400	0/28
0/100	0/7	0/500	0/35
0/150	0/10	0/600	0/40
0/230	0/16		

Compound range

Range (mmHg with kg/cm ² & inHg with psi)			
mmHg with kg/cm ²	inHg with psi	mmHg with kg/cm ²	inHg with psi
-760/2	-30/ 30	-760/10	-30/ 150
-760/4	-30/60	-760/14	-30/200
-760/7	-30/100	-760/20	-30/300

How To Order					Example																								
Basic Model					DSTC																								
Code																													
Nominal Size					XX																								
<table border="1"> <tr> <td></td> <td style="text-align: center;">20</td> <td style="text-align: center;">25</td> <td style="text-align: center;">40</td> <td></td> </tr> <tr> <td></td> <td style="text-align: center;">50 mm</td> <td style="text-align: center;">63 mm</td> <td style="text-align: center;">100 mm</td> <td></td> </tr> </table>							20	25	40			50 mm	63 mm	100 mm															
	20	25	40																										
	50 mm	63 mm	100 mm																										
Type of Mounting					X																								
<table border="1"> <tr> <td style="text-align: center;">2</td> <td>Direct bottom entry</td> <td style="text-align: center;">4</td> <td>Direct center back entry</td> </tr> </table>						2	Direct bottom entry	4	Direct center back entry																				
2	Direct bottom entry	4	Direct center back entry																										
Sanitary seal (for 1" size sanitary seal, consult factory for drawing, price and delivery.)					XX																								
<table border="1"> <tr> <td style="text-align: center;">40</td> <td>1-½" Sanitary seal in AISI 316 SS (Standard)</td> <td style="text-align: center;">63</td> <td>2-½" Sanitary seal in AISI 316 SS</td> </tr> <tr> <td style="text-align: center;">50</td> <td>2" Sanitary seal in AISI 316 SS</td> <td></td> <td></td> </tr> </table>						40	1-½" Sanitary seal in AISI 316 SS (Standard)	63	2-½" Sanitary seal in AISI 316 SS	50	2" Sanitary seal in AISI 316 SS																		
40	1-½" Sanitary seal in AISI 316 SS (Standard)	63	2-½" Sanitary seal in AISI 316 SS																										
50	2" Sanitary seal in AISI 316 SS																												
Body					XX																								
<table border="1"> <tr> <td style="text-align: center;">S6</td> <td>AISI 316 SS (Standard)</td> <td style="text-align: center;">SL</td> <td>AISI 316L SS</td> </tr> </table>						S6	AISI 316 SS (Standard)	SL	AISI 316L SS																				
S6	AISI 316 SS (Standard)	SL	AISI 316L SS																										
Diaphragm					XX																								
<table border="1"> <tr> <td style="text-align: center;">SL</td> <td>AISI 316L (Standard)</td> </tr> </table>						SL	AISI 316L (Standard)																						
SL	AISI 316L (Standard)																												
Diaphragm Filling fluids					XX																								
<table border="1"> <tr> <td style="text-align: center;">GF</td> <td>Glycerin [10 to 150°C / 50 to 302°F] (Standard)</td> <td style="text-align: center;">FG</td> <td>Food grade oil [-20 to 140°C / -4 to 284°F]</td> </tr> <tr> <td style="text-align: center;">LP</td> <td>Liquid paraffin [10 to 200°C / 50 to 392°F]</td> <td></td> <td></td> </tr> </table>						GF	Glycerin [10 to 150°C / 50 to 302°F] (Standard)	FG	Food grade oil [-20 to 140°C / -4 to 284°F]	LP	Liquid paraffin [10 to 200°C / 50 to 392°F]																		
GF	Glycerin [10 to 150°C / 50 to 302°F] (Standard)	FG	Food grade oil [-20 to 140°C / -4 to 284°F]																										
LP	Liquid paraffin [10 to 200°C / 50 to 392°F]																												
Range					0/10 Kg/cm ²																								
Refer range table																													
Optional extras					XXX																								
<table border="1"> <tr> <td style="text-align: center;">CDD</td> <td>Custom designed dial</td> <td style="text-align: center;">STG</td> <td>Shatterproof / safety glass</td> </tr> <tr> <td style="text-align: center;">OXC</td> <td>Oxygen service (for dry version)</td> <td style="text-align: center;">TOG</td> <td>Toughened glass</td> </tr> <tr> <td style="text-align: center;">CB6</td> <td>AISI 316 SS case & bezel</td> <td style="text-align: center;">STP</td> <td>SS tag plate</td> </tr> <tr> <td style="text-align: center;">LGF</td> <td>Dampening liquid glycerine filled</td> <td style="text-align: center;">FGF</td> <td>Fillable liquid glycerine</td> </tr> <tr> <td style="text-align: center;">MTC</td> <td>Material test certificates*</td> <td style="text-align: center;">HLT</td> <td>Helium leak test</td> </tr> <tr> <td style="text-align: center;">CRB</td> <td>Case with rolling type bezel#</td> <td style="text-align: center;">EPC</td> <td>Electro polished case & bezel</td> </tr> </table>						CDD	Custom designed dial	STG	Shatterproof / safety glass	OXC	Oxygen service (for dry version)	TOG	Toughened glass	CB6	AISI 316 SS case & bezel	STP	SS tag plate	LGF	Dampening liquid glycerine filled	FGF	Fillable liquid glycerine	MTC	Material test certificates*	HLT	Helium leak test	CRB	Case with rolling type bezel#	EPC	Electro polished case & bezel
CDD	Custom designed dial	STG	Shatterproof / safety glass																										
OXC	Oxygen service (for dry version)	TOG	Toughened glass																										
CB6	AISI 316 SS case & bezel	STP	SS tag plate																										
LGF	Dampening liquid glycerine filled	FGF	Fillable liquid glycerine																										
MTC	Material test certificates*	HLT	Helium leak test																										
CRB	Case with rolling type bezel#	EPC	Electro polished case & bezel																										
OPTIONAL																													
Clamp (OPTIONAL)					XX																								
<table border="1"> <tr> <td style="text-align: center;">C4</td> <td>1-½" Clamp in AISI 304</td> <td style="text-align: center;">C6</td> <td>2-½" Clamp in AISI 304 SS</td> </tr> <tr> <td style="text-align: center;">C5</td> <td>2" Clamp in AISI 304</td> <td></td> <td></td> </tr> </table>						C4	1-½" Clamp in AISI 304	C6	2-½" Clamp in AISI 304 SS	C5	2" Clamp in AISI 304																		
C4	1-½" Clamp in AISI 304	C6	2-½" Clamp in AISI 304 SS																										
C5	2" Clamp in AISI 304																												
Gasket (sealing ring) (OPTIONAL)					XX																								
<table border="1"> <tr> <td style="text-align: center;">G4</td> <td>1-½" Silicon gasket</td> <td style="text-align: center;">G6</td> <td>2-½" Silicon gasket</td> </tr> <tr> <td style="text-align: center;">G5</td> <td>2" Silicon gasket</td> <td></td> <td></td> </tr> </table>						G4	1-½" Silicon gasket	G6	2-½" Silicon gasket	G5	2" Silicon gasket																		
G4	1-½" Silicon gasket	G6	2-½" Silicon gasket																										
G5	2" Silicon gasket																												
Bottom mating part (OPTIONAL)					XX																								
<table border="1"> <tr> <td style="text-align: center;">B4</td> <td>1-½" Sanitary seal in AISI 316</td> <td style="text-align: center;">B6</td> <td>2-½" sanitary seal in AISI 316</td> </tr> <tr> <td style="text-align: center;">B5</td> <td>2" Sanitary seal in AISI 316</td> <td></td> <td></td> </tr> </table>						B4	1-½" Sanitary seal in AISI 316	B6	2-½" sanitary seal in AISI 316	B5	2" Sanitary seal in AISI 316																		
B4	1-½" Sanitary seal in AISI 316	B6	2-½" sanitary seal in AISI 316																										
B5	2" Sanitary seal in AISI 316																												
End connection of bottom mating part (* Bore size will be 8 mm) (OPTIONAL)					XX																								
<table border="1"> <tr> <td style="text-align: center;">3BM</td> <td>3/8" BSP (M)*</td> <td style="text-align: center;">4NM</td> <td>½" NPT (M)*</td> <td style="text-align: center;">5MM</td> <td>M33 x 1.5 (M)</td> </tr> <tr> <td style="text-align: center;">4BM</td> <td>½" BSP (M)*</td> <td style="text-align: center;">4ZB</td> <td>½" PIPE (M) (Plain End)</td> <td style="text-align: center;">5BM</td> <td>¾" BSP (M)</td> </tr> </table>						3BM	3/8" BSP (M)*	4NM	½" NPT (M)*	5MM	M33 x 1.5 (M)	4BM	½" BSP (M)*	4ZB	½" PIPE (M) (Plain End)	5BM	¾" BSP (M)												
3BM	3/8" BSP (M)*	4NM	½" NPT (M)*	5MM	M33 x 1.5 (M)																								
4BM	½" BSP (M)*	4ZB	½" PIPE (M) (Plain End)	5BM	¾" BSP (M)																								
# For mounting type 4 only																													
* Material test certificates will be provided for wetted parts only with chemical composition testing. For others, please consult factory.																													
Ordering Example: DSTC - XX - X - XX - XX - XX - XX - 0/10kg/cm² - LGF																													

For other optional items, please contact factory for delivery and minimum quantity of order.

Note : Specifications and dimensions given in this product catalogue represents the state of engineering at the time of printing.
Modifications may take place and materials specified may be replaced by others without prior notice.