



Special Features

- Ideal for pressure transmitter
- Laser welded diaphragm
- One piece AISI 316 SS construction
- Flush diaphragm

Application

- Diaphragm seals are provided in the instruments like pressure gauges, switches, transmitters in order to isolate the sensing element from the main service due to its corrosive, viscous and sedimented nature and to avoid clogging and solidification

Specifications

Standard Version

(Compatible models : WPT, ESG, ESW, WP4 & WP6 (WP4 & WP6 NS 100mm Only.)

Note: Pressure Gauge will be provided maximum to NS 100 mm with internal system of NS 63 mm.

Range	:	Refer below table
Process temperature	:	-40°C to 200°C or as per fill fluid
Instrument connection	:	¼" BSP (F)
Process connection	:	¾" BSP (M)
Mounting	:	Direct (without capillary)

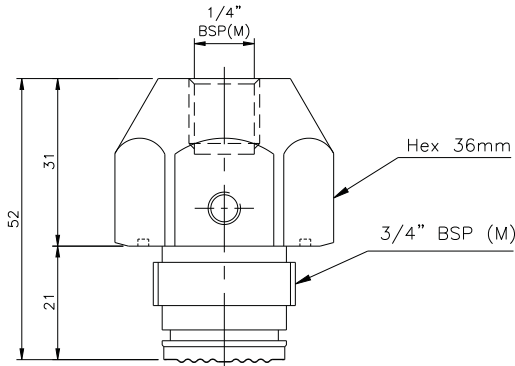
Diaphragm	:	AISI 316L SS
Body	:	AISI 316 SS
Fill fluid	:	Silicon Oil - DC 200

Process Connection & Range Selection Table

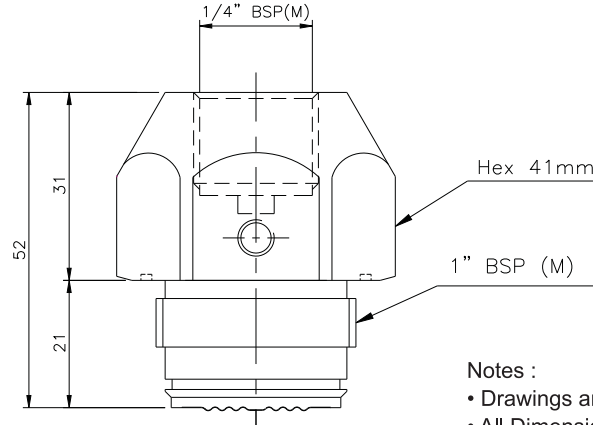
Thread Size	½" BSP (M)	¾" BSP (M)	1" BSP (M)	1-½" BSP (M)	2" BSP (M)
Thread Size	½" NPT (M)	¾" NPT (M)	1" NPT (M)	1-½" NPT (M)	2" NPT (M)
Ranges (bar)					
4	X	✓	✓	✓	✓
6	X	✓	✓	✓	✓
10	X	✓	✓	✓	✓
16	X	✓	✓	✓	✓
25	X	✓	✓	✓	✓
40	X	✓	✓	✓	✓
60	X	✓	✓	✓	✓
100	✓	✓	✓	✓	✓
160	✓	✓	✓	✓	✓
200	✓	✓	✓	✓	✓
250	✓	✓	✓	✓	✓
400	✓	✓	✓	✓	✓
600	✓	✓	✓	✓	✓

Dimensions - Standard Version

1) 3/4" BSP (M) Flush Sealed



2) 1" BSP (M) Flush Sealed



- Notes :
- Drawings are not to scale.
 - All Dimensions are in mm.

How To Order				Example
Basic Model				FDT
Code				
Optional Extras				
Body				
S6	AISI 316 SS (Standard)	SL	AISI 316L SS	XX
Diaphragm				
SL	AISI 316L SS (Standard)			XX
Instrument Connection				
2BF	1/4" BSP (F) (Standard)*	3NF	3/8" BSP (F) (Standard)	XX
2NF	1/4" NPT (F)	4BF	1/2" BSP (F)	
		4NF	1/2" NPT (F)	
Process Connection				
5BM	3/4" BSP (M)	6BM	1" BSP (M) (Standard)	XX
5NM	3/4" NPT (M)	6NM	1" NPT (M)	
		7BM	1-1/2" BSP (M)	XX
		7NM	1-1/2" NPT (M)	
		8BM	2" BSP (M)	
		8NM	2" NPT (M)	
Filling Fluids (* Consult factory for specifications, price and delivery)				
FG	Food Grade OIL [-20 to 140°C]			
S1	Silicon DC 200 [-40 to 205°C] (Standard)			XX
S2	Silicon DC 550 [10 to 400°C]			
Other Options				
HLT	Helium Leak Test		WOI Dry Seal Only Without Instrument	XX
			MTC Material Test Certificates*	
* Material Test Certificates Will Be Provided For Wetted Parts Only With Chemical Composition Testing. For Others, Please Consult Factory.				
Note: For Moc Like Monel, Hastelloy-c Etc. , Please Contact Factory For Price And Delivery.				
Ordering Example : FDT - XX - XX - XX - XX - XX - XX				

Note : Specifications and dimensions given in this product catalogue represents the state of engineering at the time of printing. Modifications may take place and materials specified may be replaced by others without prior notice.