

# IFD

Diaphragm Sealed  
'I' Section Flanged With Coupled Sealed



### Special Features

- Welded diaphragm
- Most suitable corrosive service
- Flushing ring, flange & diaphragm are Available in various type of ss & exotic materials

### Application

- Diaphragm seals are provided in the instruments like pressure Gauges, switches, transmitters in order to isolate the sensing Element from the main service due to its corrosive, viscous and Sedimented nature and to avoid clogging and solidification.
- These kind of seals are widely used in the viscous & corrosive services where flushing is required periodically & frequently

### Specifications

#### Standard Version ( For Flange Size 1" And Below)

(Compatible models : PPS, SF6, WP6, WP4, DD1, DD2, DB, BEC, DEC)

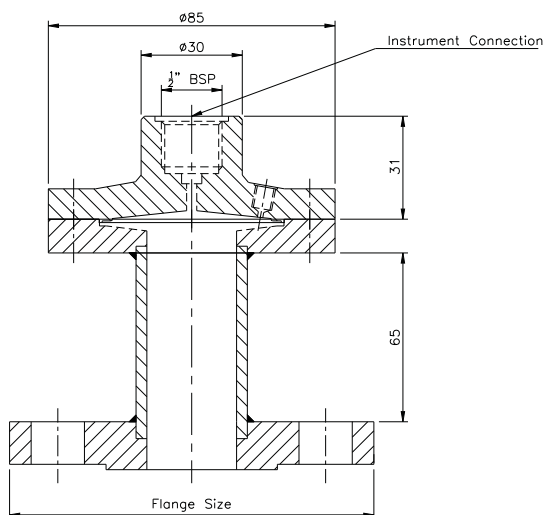
Seal type	: S53 = -1 to 0 kg/cm <sup>2</sup> & 0 to 250 kg/cm <sup>2</sup> (Non PTFE Lined)* (Standard)
	: P53 = -1 to 0 kg/cm <sup>2</sup> & 0 to 40 kg/cm <sup>2</sup> (PTFE Lined)*
Process temperature	: Max. 150°C for PTFE lined
	: -40°C to 200°C for without PTFE lined
Instrument connection	: ½" BSP (F)
Process connection	: Flange (As per DIN/BS/ANSI/JIS), 40 NB (1") & Below
Fill fluid	: Silicon Oil - DC 200
Flange finish	: 125-250 AARH

\* Range of selected instrument shall be suitable to flange pressure rating.

Diaphragm	: AISI 316L SS
Top chamber	: AISI 304 SS
Flange	: AISI 316 SS

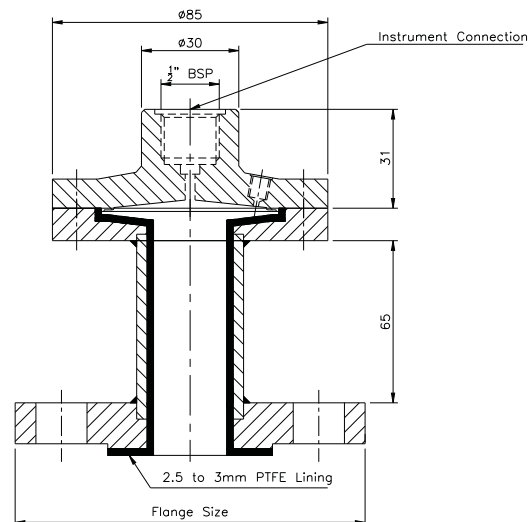
### Dimensions - Standard Version

#### SEAL TYPE : S53



WITHOUT PTFE LINED

#### SEAL TYPE : P53



PTFE LINED

## Flange Table With Ordering Codes

### How To Select

E.g. For flange size of 1-1/2" as per BS-10 table e with raised face : C10 - FF

**RF** Raised Face

**FF** Flat Face

Flange Finish shall be 125 - 250 AARH as a standard. For other finish, please consult factory.

#### As Per DIN 2527

DN	PN	CODE
10	6	A01
	10	A02
	16	A03
	25	A04
	40	A05
	64	A06
	100	A07
	160	A08
	250	A09
	400	A10
15	6	A11
	10	A12
	16	A13
	25	A14
	40	A15
	64	A16
	100	A17
	160	A18
	250	A19
	400	A20
20	6	A21
	10	A22
	16	A23
	25	A24
	40	A25
25	6	A26
	10	A27
	16	A28
	25	A29
	40	A30
	64	A31
	100	A32
	160	A33
	250	A34
	400	A35

#### As Per DIN 2633

DN	PN	CODE
10	16	A81
15		A82
20		A83
25		A84

#### As Per DIN 2635

DN	PN	CODE
10	40	A99
15		B01
20		B02
25		B03

#### As Per DIN 2642

DN	PN	CODE
10	10	A90
15		A91
20		A92
25		A93

#### As Per ANSI B 16.5

NOMINAL SIZE	RATING /CLASS	CODE
1/2"	150	B09
	300	B10
	600	B11
	900	B12
	1500	B13
	2500	B14
3/4"	150	B15
	300	B16
	600	B17
	900	B18
	1500	B19
	2500	B20

NOMINAL SIZE	RATING /CLASS	CODE
1"	150	B21
	300	B22
	600	B23
	900	B24
	1500	B25
	2500	B26

#### As Per JIS - B 2210

NOMINAL SIZE	RATING /CLASS	CODE
10A	5K	B57
	10K	B58
	40K	B59
15A	5K	B60
	10K	B61
	40K	B62
20A	5K	B63
	10K	B64
	40K	B65

NOMINAL SIZE	RATING /CLASS	CODE
25A	5K	B66
	10K	B67
	40K	B68

#### As Per BS - 10

NOMINAL SIZE	TABLE	CODE
1/2"	D	B84
	E	B85
	F	B86
	H	B87
	J	B88
3/4"	K	B89
	D	B90
	E	B91
	F	B92
	H	B93
1"	J	B94
	K	B95

NOMINAL SIZE	TABLE	CODE
1"	D	B96
	E	B97
	F	B98
	H	B99
	J	C01
	K	C02

How To Order	Example
<b>Basic Model</b>	
<b>Code</b>	IFD
<b>Optional Extras</b>	
[It is recommended that the MOC of Diaphragm & flange should be equivalent.]	
<b>Seal Type</b>	
<b>S53</b> -1 to 0 kg/cm <sup>2</sup> & 0 to 250 kg/cm <sup>2</sup> (Non PTFE Lined) (Standard)* <b>P53</b> -1 to 0 kg/cm <sup>2</sup> & 0 to 40 kg/cm <sup>2</sup> (PTFE Lined)*	XXX
* Range of selected instrument shall be suitable to flange pressure rating.	
<b>Instrument Connection</b>	
<b>4NF</b> ½" NPT (F) <b>4BF</b> ½" BSP (F) ( Standard ) <b>3BF</b> 3/8" BSP (F)	XX
<b>Top Chamber</b>	
<b>SL</b> AISI 316L SS <b>CS</b> Carbon Steel	
<b>S6</b> AISI 316 SS <b>S4</b> AISI 304 SS (standard)	XX
<b>Diaphragm</b>	
<b>TN</b> Tantalum <b>TI</b> Titanium <b>SI</b> SILVER# <b>KE</b> PTFE*	
<b>HC</b> Hastelloy 'C' <b>MO</b> Monel <b>SL</b> AISI 316L SS (Standard)	XX
<b>Flange Material</b>	
<b>S4</b> AISI 304 SS <b>CS</b> Carbon Steel <b>S6</b> AISI 316 SS (standard)	
<b>SL</b> AISI 316L SS <b>MO</b> Monel <b>HC</b> Hastelloy C	XX
<b>Process Connection</b>	
As Per DIN / BS / ANSI / JIS (select Code From Flange Table)	XXX
<b>Protection On Wetted Parts</b>	
<b>PL</b> PTFE Lining On Bottom Chamber - 2 mm Thick (Max. Up to 150°C)	
<b>PT</b> PTFE Protection For Diaphragm (Max. Up to 150°C) & suitable for Pressure Ranges only)	XX
<b>PC</b> PTFE Coating On Diaphragm (Max. Up to 315°C)	
<b>Filling Fluids (* Consult factory for specifications, price and delivery.)</b>	
<b>S1</b> Silicon DC 200 [-40 to 205°C] (Standard)	
<b>FG</b> Food Grade OIL [-20 to 140°C]	
<b>S2</b> Silicon DC 550 [10 to 400°C]	XX
<b>SY</b> Syltherm 800 [-40 to 315°C]	
<b>Remote Mounting (With capillary of Max. Up to 6 Mtrs.)</b>	
Specify In Meters (e.g. 1.5 = 1.5 METERS 2.0 = 2 METERS)	3Mtr.
<b>Capillary</b>	
<b>S4</b> AISI 304 SS <b>S6</b> AISI 316 SS	XX
<b>Capillary Covered With Armour (applicable If Capillary is Selected)</b>	
<b>S4</b> AISI 304 SS <b>S6</b> AISI 316 SS <b>PC</b> PVC (Ambient Temp. Max. 60°C)	XX
<b>Options</b>	
<b>HLT</b> Helium Leak Test <b>WOI</b> Dry Seal Only Without Instrument <b>MTC</b> Material Test Certificates*	XX
<b>CNS</b> Conformity as per NACE Standard	
* Material Test Certificates Will Be Provided For Wetted Parts Only With Chemical Composition Testing. For Others, Please Consult Factory.	
<b>Refer Datasheet FLR for selection of Flushing Rings.</b>	
<b>Ordering Example: IFD- XXX - XX - XX - XX - XXX - XX - XX - 3mtr - XX - XX - XX</b>	
For Other Optional Items, Please Contact Factory For Delivery And Minimum Quantity Of Order.	
Note : Specifications and dimensions given in this product catalogue represents the state of engineering at the time of printing. Modifications may take place and materials specified may be replaced by others without prior notice.	