



CE

Special Features

- CE approved electrical contacts.
- Mercury filled expansion system.
- Stainless steel case & stem
- With or without thermowell
- Silicon oil filled (optional)
- Standard followed EN 13190.

Application

- All stainless steel inert gas filled thermometers are suitable for corrosive media / environments in process industry chemical
- Pulp
- Paper
- Refinery
- Cement & many more.

Specifications

Standard Version : 63,mm 100 mm, 150 mm, 200 mm & 250 mm

Accuracy	: Class 1 as per EN 13190
Ambient temperature	: -25°C to 65°C
Operating pressure	: 15 kg/cm ² (without thermowell)
Over range limit	: 120 % of Full Scale
Stem diameter	: 8 mm
Process connection	: ½" BSP (M) Adjustable

Case & bezel	: AISI 304 SS (Bayonet Type)
Stem & connection	: AISI 316 SS
Joints	: Tig Argon arc welding

Protection	: IP 68
Dial	: Aluminium, black graduation on white background
Pointer	: Aluminium, black Coloured Micrometer Zero adjustable
Window	: Toughened Glass
Gasket & Filling Plug	: Neoprene

Standard version : Electrical contacts

Accuracy	: Class 1 as per EN 13190
Ambient Temperature	: Maximum 65°C
Window	: Polycarbonate Dome
Dampening Liquids	: Dielectric Oil (Optional)
Other Features	: Refer Specification of Standard Version

Standard version : Silicon oil filled

Accuracy	: Class 1 as per EN 13190
Ambient Temperature	: Maximum 65°C
Window	: Plexi Glass
Dampening Liquids	: Silicon Oil (Option QA)
Gasket & Filling Plug*	: Viton
Other Features	: Refer Specification of Standard Version

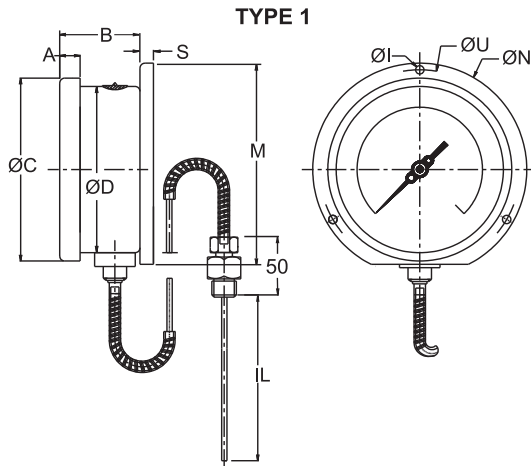
*Gasket & Filling plug of Viton.

Note : The addition of mechanical electric contacts affects the accuracy of instruments such that 1% becomes 1.5%, 1.6% becomes 2.4% etc. (Add the 50% of accuracy; If the contact is of the magnetically assisted type, this value can't be added within the ±5% of setting point.)

Nominal range, measuring ranges & limits of error as per EN 13190

Nominal Range (°C)	Measuring Range (°C)	Limits of Error (± °C)
-20 to +40	-10 to +30	0.5
-20 to +60	-10 to +50	1
-20 to +120	-10 to +110	2
-30 to +30	-20 to +20	0.5
-30 to +50	-20 to +40	1
-30 to +70	-20 to +60	1
-40 to +40	-30 to +30	1
-40 to +60	-30 to +50	1
-20 to +80	-80 to +40	1
0 to 60	10 to 50	0.5
0 to 80	10 to 70	1
0 to 100	10 to 90	1
0 to 120	10 to 110	1
0 to 160	20 to 140	2
0 to 200	20 to 180	2
0 to 250	30 to 220	2
0 to 300	30 to 270	5
0 to 400	50 to 350	5
0 to 500	50 to 450	5
0 to 600	100 to 500	5

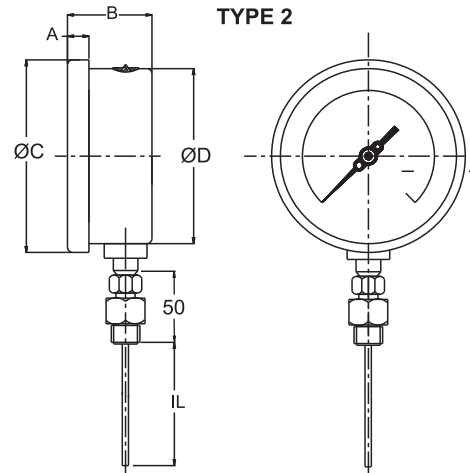
Dimensions - Standard Version



NS	A	B	ØC	ØD	S	M	IL	ØU	ØN	ØI	Approx. Wt.#
100	12.5	43	111	100	6	128	*	118	134	6	1000.0
150	15	43	161	149	6	174.5	*	168	186	6	1550.0
200	18	49	216	200	1.5	229	*	230	245	7	2000.0
250	18	55	262	247	1.5	286.5	*	276	290	7	2250.0

(* As per customer requirement.)

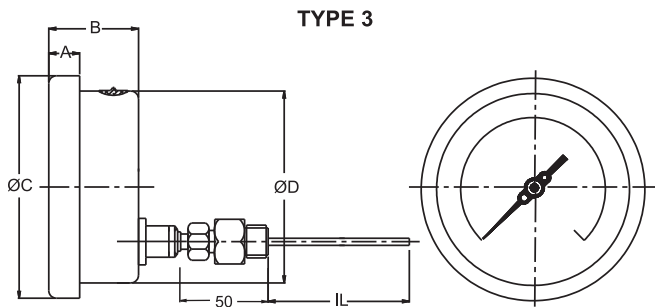
(# Weight in grams with box for 250 mm stem length & 3 meter capillary.)



NS	A	B	ØC	ØD	IL	Approx. Wt.#
100	12.5	45	111	100	*	750.0
150	15	45	161	149	*	1250.0
200	18	49	216	200	*	1500.0
250	18	55	262	247	*	2000.0

(* As per customer requirement.)

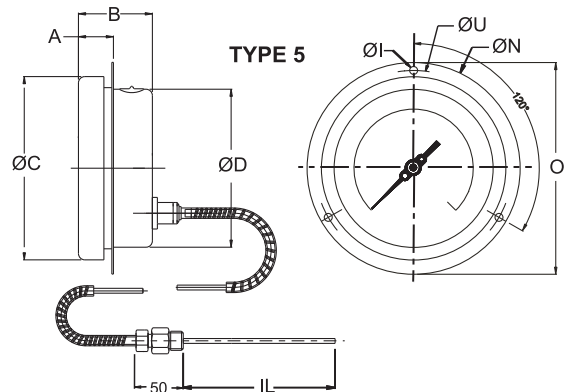
(# Weight in grams with box for 250 mm stem length.)



NS	A	B	ØC	ØD	IL	Approx. Wt.#
100	12.5	45	111	100	*	750.0
150	15	45	161	149	*	1250.0
200	18	49	216	200	*	1500.0
250	18	55	262	247	*	2000.0

(* As per customer requirement.)

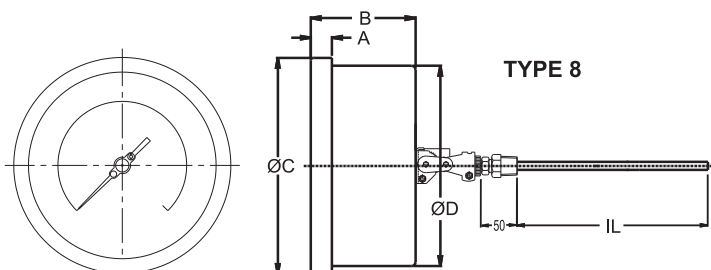
(# Weight in grams with box for 250 mm stem length.)



NS	A	B	ØC	ØD	S	IL	ØU	ØN	ØI	Approx. Wt.#
100	12.5	45	111	100	1	*	118	134	6	1000.0
150	15	45	161	149	1	*	168	186	6	1550.0
200	18	49	216	200	1.5	*	230	245	7	2000.0
250	18	55	262	247	1.5	*	276	290	7	2250.0

(* As per customer requirement.)

(# Weight in grams with box for 250 mm stem length & 3 meter capillary.)

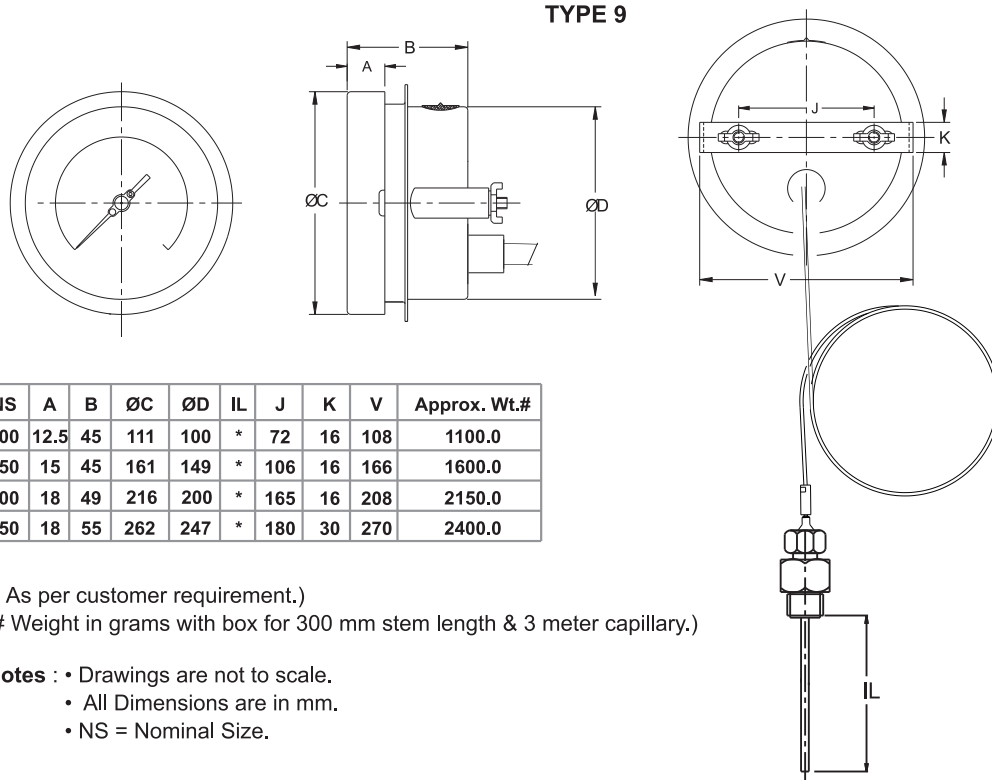


NS	A	B	ØC	ØD	IL	Approx. Wt.#
100	12.5	45	111	100	*	750.0
150	15	45	161	149	*	1250.0
200	18	49	216	200	*	1500.0
250	18	55	262	247	*	2000.0

(* As per customer requirement.)

(# Weight in grams with box for 250 mm stem length.)

Dimensions - Standard Version



Range Table

Note : We offer National / International Scales like $^{\circ}\text{C}$, $^{\circ}\text{F}$ & Dual scale in $^{\circ}\text{C}$, $^{\circ}\text{F}$ & scales as per the requirement can be provided on request. following are the example tables for $^{\circ}\text{C}$

Standard Ranges

Positive range single scale in $^{\circ}\text{C}$

Range	Range	Range	Range
0/60	0/120	0/250	0/500
0/80	0/160	0/300	0/600
0/100	0/200	0/400	50/650

Compound range single scale in $^{\circ}\text{C}$ *

Range	Range	Range	Range
- 80 / 60	- 20 / 60	- 40 / 60	- 20 / 180
- 60 / 40	- 20 / 80	- 30 / 50	- 20 / 100

Note: *Compound ranges are not recommended for electrical contact option. Refer table for limits of error as per EN13190 (On First Page)

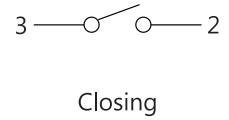
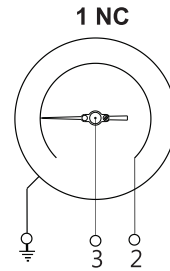
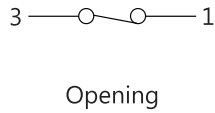
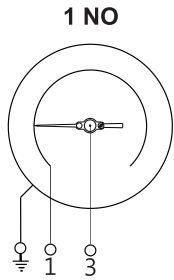
ACCESSORIES (* Refer datasheet for Thermowells)

* **Thermowell**

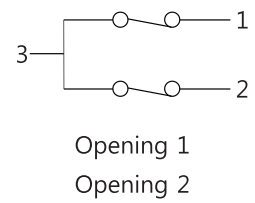
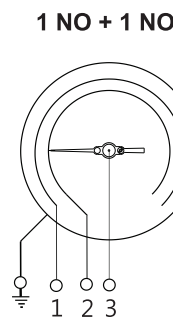
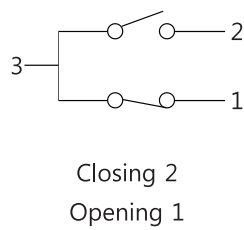
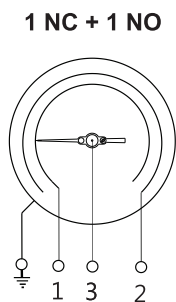
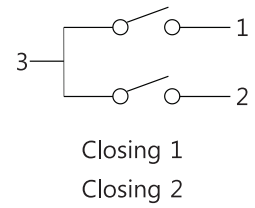
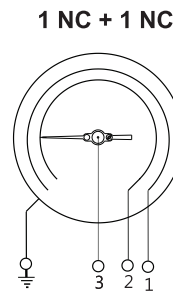
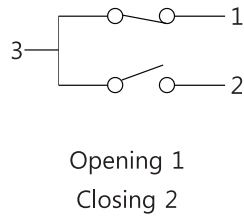
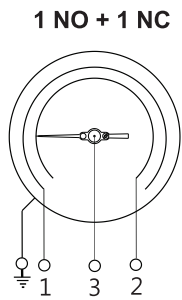
Electrical Contact Wiring Information

Wiring diagrams for electric contacts

Single Contact



Double contact



How To Order							Example		
Basic Model							MT		
Code									
Nominal Size		25	40	45	60	80	100	XX or XXX	
Type of Mounting(*without Capillary option)		63 mm	100 mm	125 mm	150 mm	200 mm	250 mm		
1	Wall/surface/projection mounting With bottom entry	5	Lower back entry with front flange						X
2	Direct bottom entry*	8	Every angle back entry*						
3	Direct lower back entry*	9	Lower back entry with mounting bracket						
Process Connection (# Not recommended for Revolving/ Swivel connections.)							XXX		
3BM	3/8" BSP (M)*	4BM	1/2" BSP (M) (Standard)*	5BM	3/4" BSP (M)				
3NM	3/8" NPT (M)*#	4NM	1/2" NPT (M)*#	4MM	M20 x 1.5 (M)*				
3TM	3/8" BSPT (M)*#	4TM	1/2" BSPT (M)*#						
* Suitable for stem diameter 6 to 10 mm									
Process Connection Type							XX		
AD	Adjustable (Standard)	FX	Fixed	SL	Revolving / Swivel				
Stem Diameter							XXXX		
SD04	4 mm	SD06	6 mm (Standard)	SD08	8 mm	SD10		10 mm	SD12
Stem Length (Below thread Max. 600 mm)							100 mm		
Please specify in mm		Minimum stem Length (Below Thread)		120 mm	100 mm	100 mm		80 mm	
		Stem OD		6 mm	8 mm	10 mm	12 mm		
Range							0/100 °C		
Refer range table									
Type	ST With rigid stem	CP	With capillary				XX		
Capillary length (Max up to 15 Mtrs.) In meters (e.g. 1.5 = 1.5 meters 2.0 = 2 meters)							3Mtr.		
Capillary	S4 AISI 304 SS	S6	AISI 316 SS				XX		
Capillary covered with armour (Applicable with S4 or S6 if selected)							XX		
S4	AISI 304 SS	S6	AISI 316 SS	PV	PVC (Ambient Temp. Max. 60°C)				
Electric Contacts (FOR NS 100 mm & 150 mm Only) (C € Approved)							XX		
(With IP protection up to IP 55 & window polycarbonate dome type)									
A) Single insulated magnetic snap action type (230 V AC, 1 Amp.)(48 V DC, 0.5 Amp.) (Available for 1 kg/cm ² & above)				B) Inductive type (220 V AC, 0.4 Amp.) (Available for 1000 mm WC & above)			XX		
M1	Single; normally closed (1 NC)			D1	Single; normally open (1 NO)				
M2	Double; normally closed + normally open (1 NC + 1 NO)			D2	Single; normally closed (1 NC)				
M3	Single; normally open (1 NO)			D3	Double; normally closed + normally open (1 NC + 1 NO)				
M4	Double; normally open + normally closed (1 NO + 1 NC)			D4	Double; normally open (both NO)				
M5	Double; normally closed (both NC)			D5	Double; normally closed (both NC)				
M6	Double; normally open (both NO)			D6	Double; normally open + normally closed (1 NO + 1 NC)				
Optional Extras							XXX		
CBS	AISI 316 SS case & bezel**			CDD	Custom designed dial				
LGF	Dampening liquid glycerin filled (ambient temp. Max. 65°C)*			STG	Shatterproof/safety glass				
LSI	Dampening liquid silicon oil (ambient temp. Above 65°C)*			TND	Tag No. marking on Dial				
MRP	Maximum reading pointer with plexi glass (for dry version)**			STP	SS tag plate				
MTC	Material test certificates#			DOF	Dielectric oil filled***				
AVS	Anti-vibration Spring Assembly								

* Dry version & except electrical contacts. ** Available for NS 100 mm to 150 mm. Consult factory for minimum order quantity & delivery.

*** Gasket & Filling plug of Viton. # Material test certificates will be provided for wetted parts only with chemical composition testing. For others, please consult factory. **Five Point Calibration Certificate Provided With Each Gauge For Measuring Range Only.**

Ordering Example: MT- XX or XXX - X - XXX - XX - XXXX - 100 mm - 0/100 °C - XX - 3Mtr - XX - XX - XX - XXX

For other optional items, please contact factory for delivery and minimum quantity of order. Note : Specifications and dimensions given in this product catalogue represents the state of engineering at the time of printing. Modifications may take place and materials specified may be replaced by others without prior notice.