



Special Features

- CE Approved pressure transmitter
- Low cost
- Local display with 4 to 20 mA output for PLC/PID and data loggers
- Solid front case for safety

Application

- Pharmaceutical
- Oil
- Refrigeration
- HVAC & compressor industries

Specifications

Standard Version : 100 mm & 150 mm

Pressure transmitter

Input Pressure	:	Refer range table
Type	:	Gauge/Compound/Vacuum
System	:	2 Wire
Supply	:	24 VDC
Output	:	4-20 mA
Accuracy	:	0.5% of FS
Ambient Temperature	:	0 to 50°C
Process Temperature	:	-25 to 80°C
Process Connection	:	Refer options
Electric Wiring	:	DIN connector
Response Time	:	50 mSec (Typical)
Sensing Element	:	AISI 316L

Pressure gauge (single scale only)

Accuracy	:	±1.0% of F.S.
Ambient temperature	:	-25°C to +65°C
Process temperature	:	-25 to 80°C
Operating pressure	:	75% of Scale Value
Mounting	:	Direct Bottom
Case & bezel	:	AISI 304 SS, Solid Front, Bayonet Type
Bourdon	:	AISI 316L SS
Socket	:	AISI 316L SS (Directly Welded to Case)
Movement	:	AISI 304 SS
Joints	:	Tig Argon Arc Welding
Protection	:	IP 68
Dial	:	Aluminum, black graduation on white background
Pointer	:	Aluminum, black coloured micrometer zero adjustable
Window	:	Shatterproof / Safety Glass
Blow off Disc	:	AISI 304 SS
Gasket & 'O' ring	:	Neoprene

Temperature effect :

The variation of indication caused by effects of temperature is to be calculated by below formula; which is to be added in the specified accuracy while measurement :- Formula : $\pm 0.04 \times (t_2 - t_1) \% \text{ of F. S.}$ where t_1 = reference temperature (+20°C) and t_2 = ambient temperature in °C.

Range Table

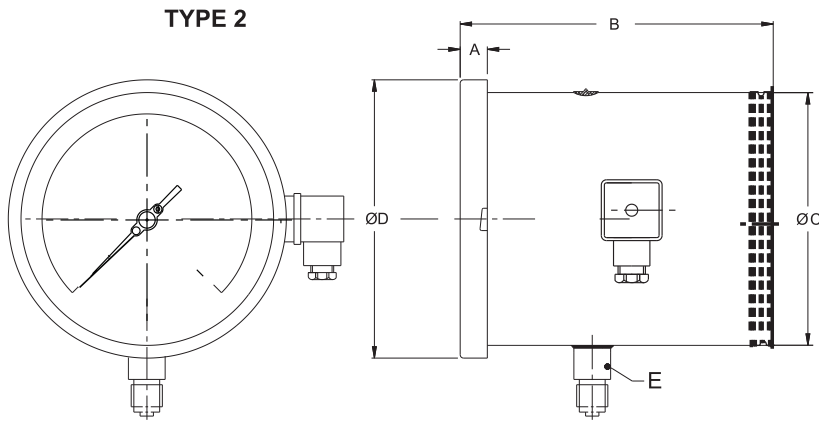
We offers National/International scale like kPa, MPa, bar, psi, kg/cm² etc in single scale only.

The range of Pressure Transmitter shall be equivalent to Pressure Gauge Scale.

Following is the range selection table for pressure transmitter in bar.

Gauge			Compound		Vacuum
0/2.5	0/16	0/100	-1/1.0	-1/15	-1/0
0/4	0/25	0/160	-1/3	-1/24	
0/6	0/40	0/250	-1/4		
0/10	0/60	0/400	-1/5		
		0/600	-1/10		

Range Table



NS	A	B	ØC	ØD	E	Weight in gram (With Box)
100	12.5	89	100	111	A/F 22	1150.0
150	15	89	149	161	A/F 22	1450.0

- Notes :**
- Drawings are not to scale.
 - All Dimensions are in mm.
 - NS = Nominal Size

How To Order

Example

Basic Model				PGT
Code				
Nominal Size	40	60		XX
	100 mm	150 mm		
Type of Mounting				X
2 Direct bottom entry				
Range				0/10 bar
Refer range table				
Process connection				XXX
4BM	½" BSP (M) (Standard)	4NM	½" NPT (M) (Standard)	
4TM	½" BSPT (M) (Standard)			
Optional extras				XX
CDD	Custom designed dial	STG	SS tag plate	
FPC	Five point calibration certificate	TND	Dial tag marking	
MTC	Material test certificates*	HLT	Helium leak test	

* Material test certificates will be provided for wetted parts only with chemical composition testing. For others, please consult factory.

Ordering Example: PGT. XX . X . 0/10 bar . XXX . XXX

Any additional requirements like logo on dial, colors of dial, process connection, etc, please refer to factory.

Note : Specifications and dimensions given in this product catalogue represents the state of engineering at the time of printing. Modifications may take place and materials specified may be replaced by others without prior notice.