



GOST

### Special Features

- External zero adjustment (optional)
- Solid Front design features baffle wall interposed between the sensing system & the window, and a Pressure relieving back for increased safety.
- Accuracy  $\pm 0.5\%$  F.S. (optional)
- Stainless steel blow off back
- Standard followed EN 837-1

### Application

- Suitable for high pressure gas
- Corrosive / hazardous Environment that will not obstruct the pressure system.

### Specifications

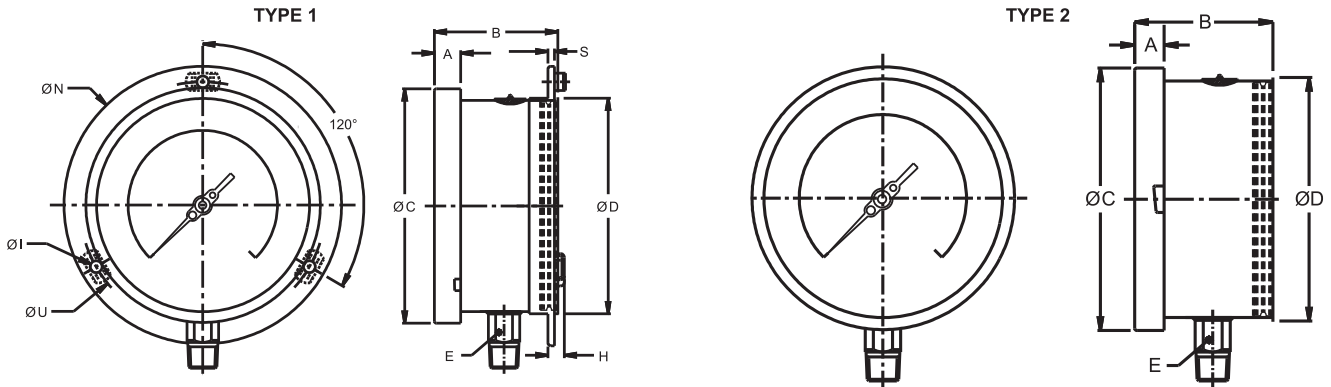
#### Standard Version : 100 mm & 150 mm

Accuracy	:	$\pm 1.0\%$ of F.S.
Ambient temperature	:	- 20°C to + 65°C
Process temperature	:	Max 300°C
Operating pressure Range	:	75% of Scale Value
Over pressure limit	:	$\leq 100$ bar : 125% of Max. Scale Value $> 100$ to $\leq 600$ bar : 115% of Max. Scale Value $> 600$ to $\leq 1600$ bar : 110% of Max. Scale Value
Case & Bezel	:	AISI 304 SS (Bayonet Type)
Bourdon	:	AISI 316 L SS
Socket	:	AISI 316 L SS (Directly welded to case)
Movement	:	AISI 304 SS
Joints	:	Tig Argon Arc Welding
Protection	:	IP 68
Dial	:	Aluminum, black graduation on white background
Pointer	:	Aluminum, black Coloured Micrometer Zero Adjustable
Window	:	Shatterproof / Safety Glass
Blow off Disc	:	AISI 304 SS
Gasket & Filling Plug	:	Neoprene

#### Temperature effect :

The variation of indication caused by effects of temperature is to be calculated by below formula; which is to be added in the specified accuracy while measurement :- Formula :  $\pm 0.04 \times (t_2 - t_1) \%$  of F. S. where  $t_1$  = reference temperature (+20°C) and  $t_2$  = ambient temperature in°C.

## Dimensions - standard version



NS	A	B	ØC	ØD	E	ØN	ØU	H	ØI	S	Weight in gram (With Box)	Weight in gram (With Glycerin & Box)
100	12.5	70	111	100	22	134	76	15	6	1	860.0	1170.0
150	15	70	161	149	22	186	118	15	6	1	1440.0	2230.0

NS	A	B	ØC	ØD	E	Weight in gram (With Box)	Weight in gram (With Glycerin & Box)
100	12.5	70	111	100	22	760.0	1070.0
150	15	70	161	149	22	1300.0	2090.0

- Notes :
- Drawings are not to scale.
  - All Dimensions are in mm
  - NS = Nominal Size
  - Weights mentioned are approximate and for standard product.
  - Weight can be different after selection of options.

## Range Table

Note : We offer National / International Scales like kPa, MPa, bar, psi, kg/cm<sup>2</sup> & Dual Scale like kPa with psi, kPa with bar, bar with psi or Equivalent scales as per the requirement can be provided on request. Following are the example tables for kg/cm<sup>2</sup> & psi scales

### Range with nominal sizes

#### Single scale (kg/cm<sup>2</sup> or bar)

0/0.6	0/4	0/25	0/160	0/1000
0/1	0/6	0/40	0/250	0/1600
0/1.6	0/10	0/60	0/400	
0/2.5	0/16	0/100	0/600	

#### Dual scale (psi with kg/cm<sup>2</sup>)

psi	kg/cm <sup>2</sup>	psi	kg/cm <sup>2</sup>	psi	kg/cm <sup>2</sup>
0/15	0/1	0/400	0/28	0/4000	0/280
0/30	0/2	0/500	0/35	0/5000	0/350
0/60	0/4	0/600	0/40	0/6000	0/400
0/100	0/7	0/1000	0/70	0/10000	0/700
0/150	0/10	0/1500	0/100	0/15000	0/1000
0/230	0/16	0/2300	0/160	0/23000	0/1600
0/300	0/20	0/3000	0/200		

## Range Table

### Vacuum & Compound range

Dual scale					
inHg with psi	mmHg with kg/cm <sup>2</sup>	inHg with psi	mmHg with kg/cm <sup>2</sup>	inHg with psi	mmHg with kg/cm <sup>2</sup>
- 30/0	- 760 / 0	- 30/60	- 760 / 4	- 30/200	- 760 / 14
- 30/15	- 760 / 1	- 30/100	- 760 / 7	- 30/300	- 760 / 21
- 30/30	- 760 / 2	- 30/150	- 760 / 10		
Single scale (kg/cm <sup>2</sup> or bar)					
- 1/0		- 1/1.5		- 1/5	- 1/15
- 1/0.6		- 1/3		- 1/9	- 1/24

### Accessories (Refer datasheet for complete specifications)

<b>CT</b>	Cooling tower	<b>*</b>	Needle valve
<b>GC</b>	Gauge cock	<b>SN</b>	Snubber
<b>GS</b>	Overload protector (gauge saver)**	<b>SP</b>	Siphon

\* Refer catalogue for Valves & Manifolds

\*\* For Pressure Ranges.

## How To Order

## Example

<b>Basic Model</b>				
<b>Code</b>				SF6
<b>Nominal Size</b>				XX
		<b>40</b>	<b>60</b>	
		100 mm	150 mm	
<b>Type of Mounting</b>				X
<b>1</b>	Wall/surface/projection mounting with bottom entry	<b>6</b>	2" pipe / yoke mounting with bottom entry*	
<b>2</b>	Direct bottom entry			
* MOC of bracket and 'U' clamp will be steel (painted). Ask factory for drawings, if required.				
<b>Gauge Connection</b>				XXX
<b>3BM</b>	3/8" BSP (M)	<b>4BM</b>	1/2" BSP (M) (Standard)	
		<b>4NM</b>	1/2" NPT (M) (Standard)	
		<b>4MM</b>	M20 x 1.5 (M)	
Note : Connections like Metric / PT / PF / Flaired / UNF / G / R etc can be provided on request.				
<b>Range</b>				0/10 kg/cm <sup>2</sup>
Refer range table				
<b>Optional extras</b>				XXX
<b>Ac5</b>	Accuracy ±0.5% OF F.S. (dry version & except maximum reading pointer)	<b>STP</b>	SS Tag plate	
<b>MBS</b>	Monel bourdon & socket (Monel version)**#	<b>TND</b>	Tag No. Marking on Dial	
<b>DSM</b>	Integral dampening screw (Monel)#	<b>HLT</b>	Helium leak test	
<b>PLG</b>	Plexi glass	<b>CNS</b>	Conformity as per NACE Standard	
<b>MDJ</b>	Movement with dampening jelly	<b>OXS</b>	Oxygen service (for dry version)	
<b>TRC</b>	Calibration certificate traceable to National / International standards	<b>CDD</b>	Custom designed dial	
<b>MTC</b>	Material test certificates***	<b>IOS</b>	Internal over pressure stop	
<b>ORP</b>	Over range protection 150% of F. S.	<b>IVS</b>	Internal vacuum stop	
<b>EZA</b>	External zero adjustment	<b>CBS</b>	AISI 316 SS case & bezel	
		<b>MOS</b>	AISI 316 SS movement	
		<b>VPO</b>	On - off type vent plug	

\*\*\* Material test certificates will be provided for wetted parts only with chemical composition testing.

For others, please consult factory. # Integral dampening screw will be in monel if ordered. Refer option MBS.

## Ordering Example : SF6 - XX - X - XXX - 0/10 kg/cm<sup>2</sup> - XXX

For other optional items, please contact factory for delivery and minimum quantity of order.

Note : Specifications and dimensions given in this product catalogue represents the state of engineering at the time of printing.  
Modifications may take place and materials specified may be replaced by others without prior notice.